

2 SERIES HAL INT

ADJUSTABLE

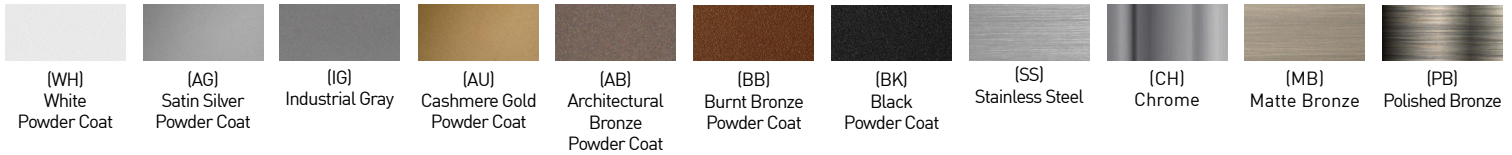
Our smallest aperture family of pin-hole fixtures offers high-output illumination for high-drama design statements in discerning residential, retail, and hospitality environments.

PROJECT NAME:	TYPE:
---------------	-------



ORDERING INFORMATION

FITTING	RATING	FLANGE FINISH	INSTALL TYPE	CEILING THICKNESS	POWER SUPPLY	EFFECTS DEVICE	FLANGE CONFIGURATION
			EX				
2RA Round Expanded 2PA Round Pinhole 2SA Square Expanded	1 IP10 Dry / Damp 2 IP64 Wet* *(Lens sealed in place)	WH White AG Satin Silver IG Industrial Gray AU Cashmere Gold AB Architectural Bronze BB Burnt Bronze BK Black SS Stainless Steel* *(Increased lead time) CH Chrome* *(Increased lead time) MB Matte Bronze* *(Increased lead time) PB Polished Bronze* *(Increased lead time) PR Primer CF Custom* *(Consult Factory)	EX Export EX Export	0 3mm - 13mm 1 13mm - 20mm 2 20mm - 32mm 3 32mm - 51mm 4 51mm - 76mm	INTERNATIONAL (120V - 240V) LVH Low Voltage Halogen* *(Fitting ships with MR16 socket, power supply not provided) MVH Mains Voltage Halogen* *(Fitting ships with GU10 socket, power supply not provided)	04 Standard Effects Device Soft Focus Lens Optional Effects Device 00 No Lens* *(Not available for IP64 wet location) 01 Linear Spread Lens 02 Honeycomb Louver* *(Not available for IP64 wet location) 03 Clear Glass Lens 05 Frosted Glass Lens 09 Ultra Violet Lens 26 Frosted Linear Spread Lens* *(Not available for IP64 wet location)	F Flange Overlay [No Applique] G Zero Sightline - Gypsum (1.57mm Applique)* *(Not available for IP64 wet location) P Zero Sightline - Plaster (3.18mm Applique)* *(Not available for IP64 wet location)



PART NUMBER NOTES

- Fitting ships as e.g. 2RA1-WH-EX-1-LVH04
- Appliqué ships with fitting

ACCESSORIES

ALTERNATE EFFECTS DEVICES

- LSL-2** Linear Spread Lens
- HCL-2** Honeycomb Louver*

*(Not available for IP64 wet location)

- CGL-2** Clear Glass Lens
- SFL-2** Soft Focus Lens
- FGL-2** Frosted Glass Lens
- UVL-2** Ultra Violet Lens
- FLSL-2** Frosted Linear Spread Lens*

*(Not available for IP64 wet location)

ROUTER TOOL GUIDE (IP10 Dry / Damp locations only)

Recommended for Zero-Sightline installations in wood ceilings. Must Specify F Flange Configuration

- DLA-RTG-2S-RD** Tool, router guide; reusable

ADJUSTMENT TOOL

One included with every four fittings.

- TOOL-HEX-050**

2 SERIES HAL INT ADJUSTABLE

DOWNLIGHT FITTING

Hot-aim adjustment from below up to 45° tilt and 357° rotation, faceplate conceals adjustment mechanisms.

- A ADJUSTABLE YOKE**
Adjustable yoke allows for quick exchange of lamp and effects devices. Accommodates up to 2 effects devices.
- B TILT GUIDE**
Features adjustment angles and allows for pre-aiming prior to insertion of fitting.
- C EFFECTS DEVICES**
Soft Focus Lens standard; effects device must be specified. Lens is sealed in aperture in IP64 Wet location fitting. Secondary effects device available.
- D FITTING PLATE**
Features removable faceplate providing access to adjustment mechanisms. Rare Earth magnets secure faceplate firmly to fitting mechanism and do not degrade over time.
 - IP10 Dry / Damp Location: Thickness measures 1.5mm
 - IP64 Wet Location: Sealed aperture and integral silicone gasket. 4.3mm return, installed as flange overlay only.
- E DOWNLIGHT FITTING ADAPTER**
Included with fitting and required for installation. Uses (2) #6-32 flat-head screws with varying lengths to accommodate ceiling depth. Installed after ceiling is complete. Requires 92mm diameter cutout for flange overlay applications.
- E1 RETENTION**
Engineered integral ball plungers correspond to fitting adaptor ensuring snug fit against finished ceiling.

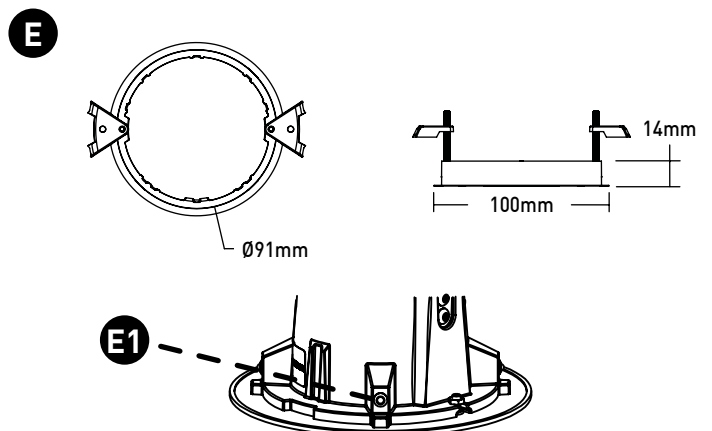
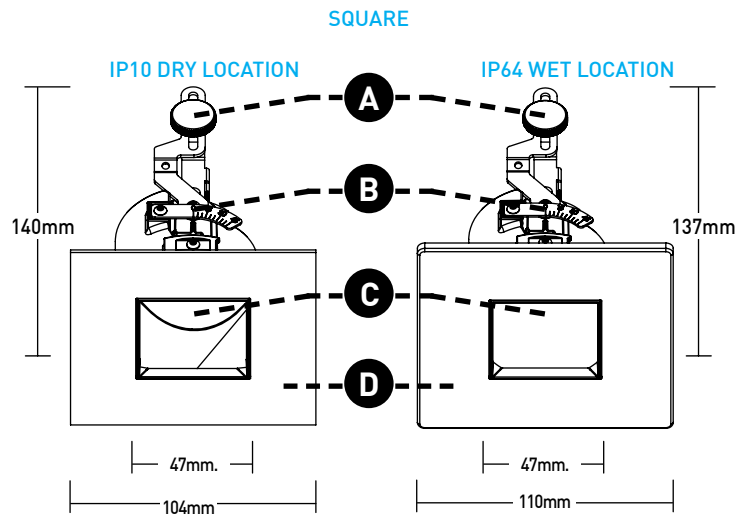
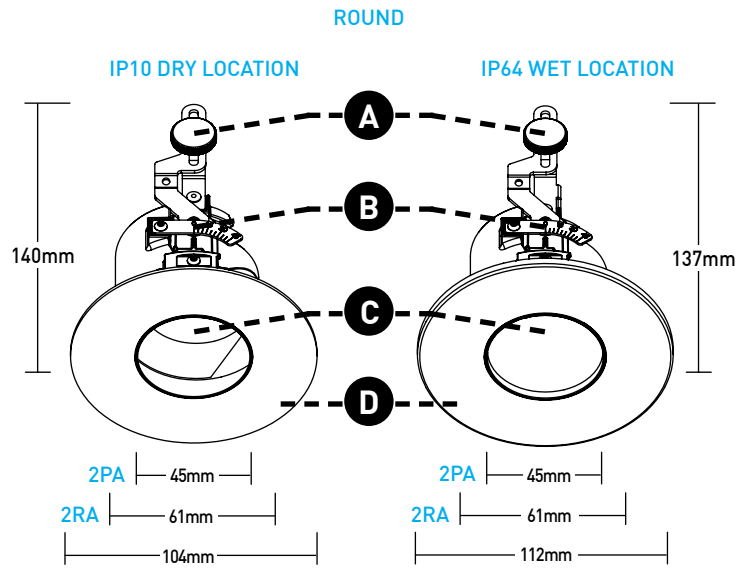
TILT CHART

Chart references abbreviated ceiling thickness and use of 1 effects device.

CEILING THICKNESS	≤ 19mm "-1" adaptor	≤ 25mm "-2" adaptor	≤ 32mm "-2" adaptor	≤ 38mm "-3" adaptor	≤ 44mm "-3" adaptor	≤ 50mm "-3" adaptor
Available Tilt	45°	44°	41°	35°	35°	33°

CEILING THICKNESS	≤ 57mm "-4" adaptor	≤ 70mm "-4" adaptor	≤ 76mm "-4" adaptor
Available Tilt	15°	15°	13°

DIMENSIONS / DRAWINGS



2 SERIES HAL INT ADJUSTABLE

ZERO-SIGHTLINE INSTALLATIONS

Zero-Sightline installations available for IP10 Dry / Damp location fittings only. When installed according to manufacturer's instructions and ceiling conditions are met, fitting is flush with the ceiling plane. Consult 2-Series Installation Guidelines for appropriate ceiling cutouts and instructions for proper Zero-Sightline installations.

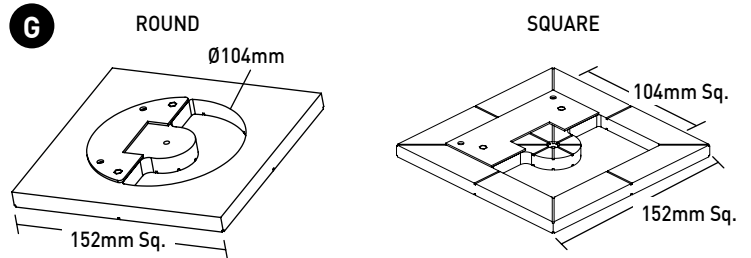
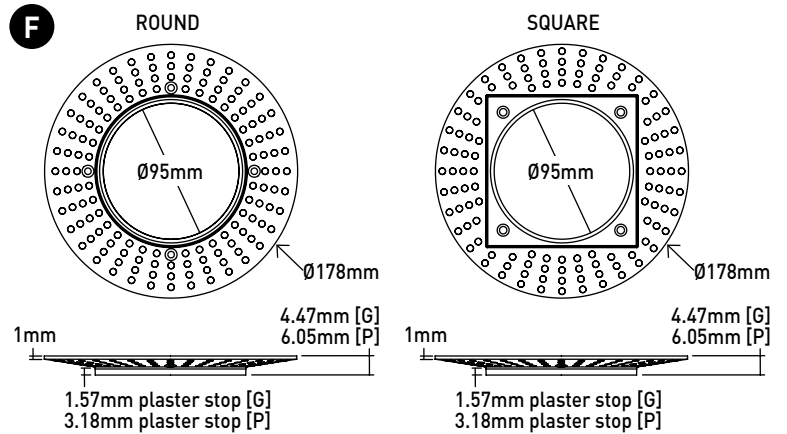
F APPLIQUÉ

- Specified on Flange Configuration and ships with housing; ships separately on remodel installations.
- For use in sheetrock ceiling applications.
- 1.57mm Appliqué (G Flange Configuration) recommended for gypsum ceiling installations and has plaster stop thickness of 1.57mm. Recommended for painted ceiling applications.
- 3.18mm Appliqué (P Flange Configuration) offers double thick plaster stop of 3.18mm where a heavier application of mud is preferred. Recommended for colorfast and venetian plaster applications. Not recommended for stucco applications.

G ROUTER TOOL GUIDE

- Specified separately and used with Flange Overlay configurations.
- For use in wood ceiling applications.
- **DLA-RTG-2S-RD** or **DLA-RTG-2S-SQ** required for wood Zero-Sightline ceiling installations.
- Router tool guide is reusable and suitable for multiple fittings.

DIMENSIONS / DRAWINGS



2 SERIES HAL INT ADJUSTABLE

TECHNICAL

CONSTRUCTION

Downlight Fitting: Steel and aluminum; Painted finishes are granulated powder coat.

Fitting Adaptor: High impact composite and stainless steel.

Appliqué: Zinc alloy.

LAMP

MR-16 halogen and LED; 12-volt GU5.3 base and line / mains GU10 base.

To ensure optimal results, it is recommended to specify lamps supplied by Lucifer Lighting. Note: MR-16 LED lamps, other than those listed, must be independently confirmed as compatible by the corresponding lamp manufacturer. Consult factory for assistance.

DIMMING PROTOCOL

Best achieved using a corresponding reverse phase control for electronic transformers and a forward phase control for magnetic transformers.

Compatibility and performance may vary between controls and applied loads.

LISTING

CE Listed for IP10 Dry / Damp and IP64 Wet locations.

WEIGHT

Fitting - 1.2 lbs max

LIMITED WARRANTY

Manufacturer's 1-year warranty, from the date of shipment by Seller, on all Lucifer Lighting provided system components. Consult website for full warranty terms and conditions.